



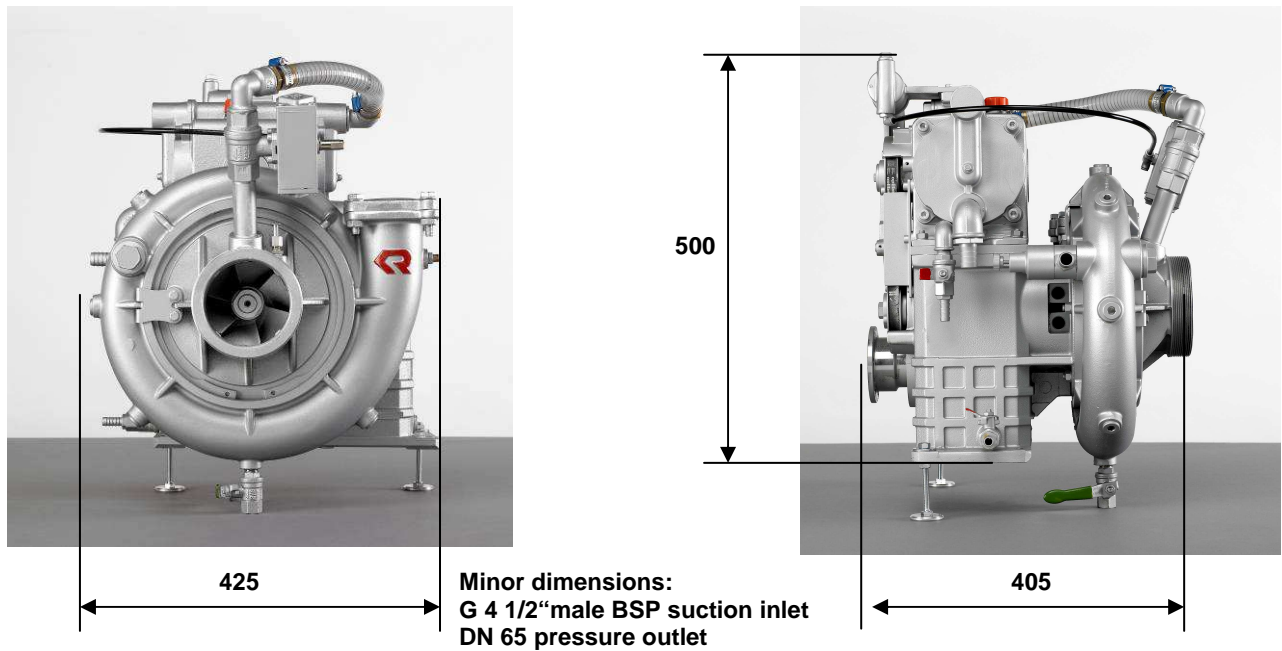
BENEFITS

- **High pump discharge**
- **High efficiency for low power consumption**
- **Lower pressure shocks**
Through flat pump curve
- **More space for equipment**
Through installation as underfloor fire pump
Possibility to turn the gearbox
- **Pump gear box to adapt to different PTO speeds**
- **Minor dimensions**
- **Thermal overheating valve (option)**
- **High performance primer pump KAP-Professional (Option)**
- **Rating acc. EN 1028:**
FPN 10-750
FPN 10-1000
FPN 10-1500

TECHNICAL DATA

Type:	One-stage centrifugal pump
Rated output:	1.000 l/min at 10bar
Rated speed:	4.050 RPM
Rated power consumption:	35 kW
Rotation:	Counter clockwise, clockwise
max. pres.:	16bar
Material:	Pump casing, diffuser and impeller made of corrosion resistant light alloy Pump shaft made of stainless steel
Sealing:	Pump shaft sealing via maintenance free mechanical shaft seal
Bearing:	Pump shaft bearing via ball bearing
Suction inlet:	1 x G 4 1/2" male BSP
Pres. outlet:	1 x DN65
Weight:	approx. 60kg (light alloy)
Option:	Pump casing, diffuser and impeller made of seawater resist. gunmetal

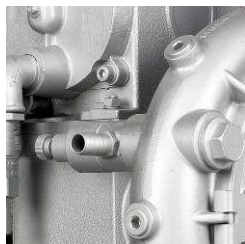
NORMAL PRESSURE FIRE PUMP N10



Option: Priming pump
KAP professional



Option: Mechanical
overheat protection



Option: Cooling water
connection



Built in as underfloor pump:
More space for equipment or a
portable pump

ROSENBAUER INTERNATIONAL Aktiengesellschaft
4060 Leonding, Paschinger Straße 90 AUSTRIA

Tel.: + 43 (0)70 6794-0
Fax : + 43 (0)70 6794-91
E-Mail: office@rosenbauer.com
<http://www.rosenbauer.com>

Text and illustrations are not binding. The illustrations may show optional extras only available at extra charge. Rosenbauer retains the right to alter specifications and dimensions given here in without prior notice.